



Prime Mover Controls Inc.
Vancouver, BC, Canada

DATE 92.MAY.12
DWN J.SILVA
SCALE 1:1

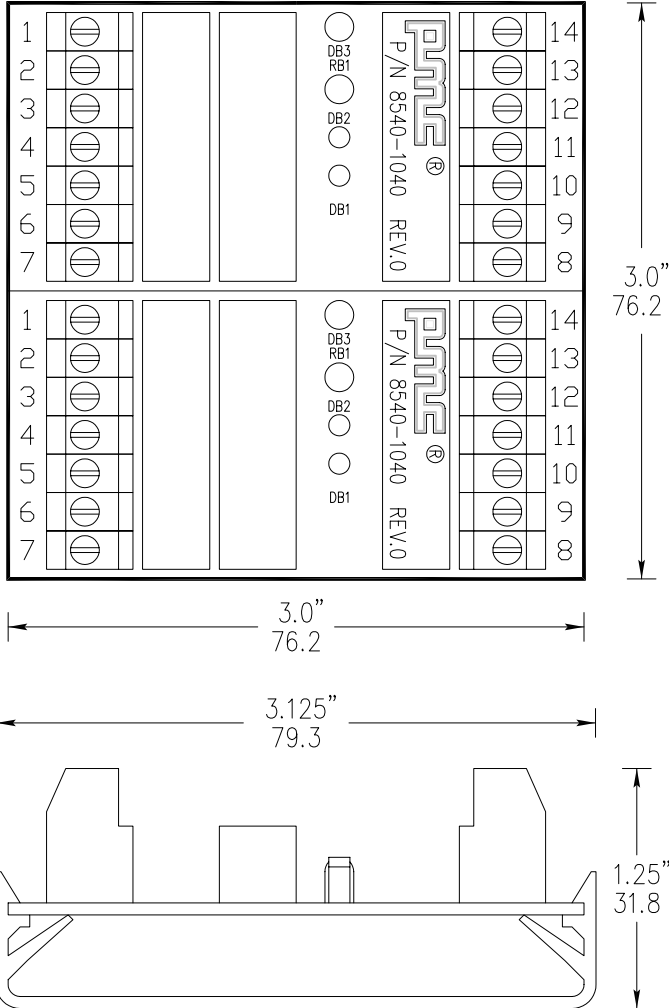
**DUAL 4PDT RELAY
PC BOARD
WITH LOW CURRENT CONTACTS
TRACK MOUNTED**

DWG No. **A-8540-1040**

REV 0

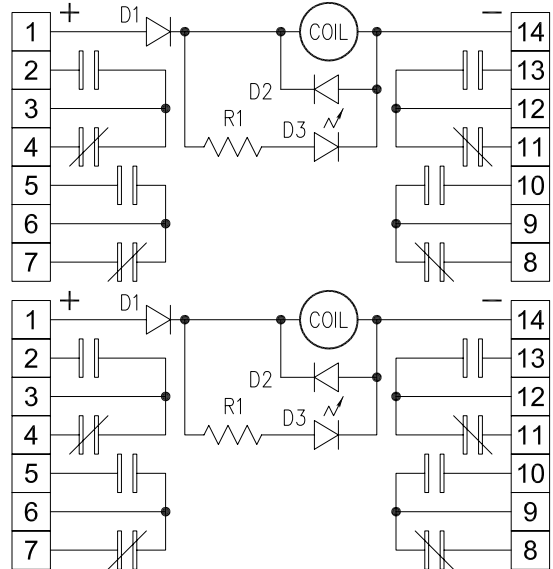
- DOCUMENTATION -

DIMENSIONS



DIMENSIONS ARE IN INCHES AND MM.

SCHEMATIC



SPECIFICATIONS

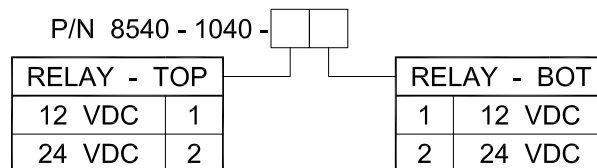
CONTACT RATING (RESISTIVE LOAD)

- MAX. SWITCHING POWER - 60W
- MAX. SWITCHING VOLTAGE - 125VAC, 110VDC
- MAX. SWITCHING CURRENT - 2A 30VDC; 0.6A 125VAC
- MIN. SWITCHING CURRENT - 10uA AT 10mVDC

OPERATING POWER

- COIL - 400mW; IND.LED - 5mA

ORDERING DATA



INSERT VOLTAGE CODE FOR EACH RELAY