



Type 2302-1200

The Type 2302-1200 Position Transmitter converts mechanical angular position into electrical signals. These electrical signals are directly proportional to the absolute angular position of the input shaft. The transmitter operates in the harsh environment of a ship's engine room. It can be mounted directly on machinery.

The Type 2302-1200 Position Transmitter utilizes a potentiometer as the sensing element. They are available as a single gang, dual gang or single gang with a current transmitter. Dual output units have electrically independent sensors.

APPLICATIONS

Accurate Position Sensing of:

- CP propellers
- Valves
- Levers
- Dampers
- Gates

FEATURES

- Completely watertight
- Corrosion resistant
- Rugged construction

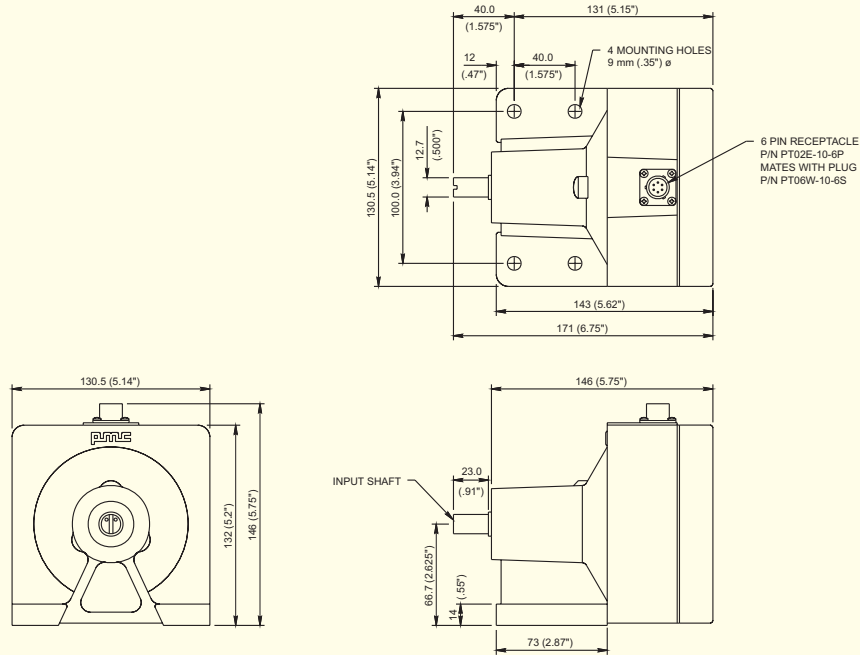
POSITION TRANSMITTER

TYPE 2302-1200 POTENTIOMETER



PRIME MOVER CONTROLS INC.

DIMENSIONS FOR 2302-1200 POTENTIOMETER POSITION TRANSMITTER



SCALE 1 : 5

SPECIFICATIONS:

Sensor:

- Single or Dual Potentiometer (5K Standard)
- 4 to 20 mA two-wire transmitter
- Electrical travel: 35° to 340°

Environmental:

- Operating temperature -25 to +70°C
- Storage temperature -55 to +75°C
- Vibration: Frequency range 2 to 100 Hz
Peak to peak amplitude 2 mm below 13.2 Hz
Acceleration amplitude 0.7 g above 13.2 Hz

Physical:

- Watertight
- Dimensions:
171 mm L × 130.5 mm W × 146 mm H
(6.75" L × 5.14" W × 5.75" H)
- Weight, typical 2.2 kg (5.5 lbs)

PRIME MOVER CONTROLS INC.

3600 GILMORE WAY, BURNABY B.C. CANADA V5G 4R8

TEL (604) 433-4644 FAX (604) 433-5570 www.pmc-controls.com