



ELECTRIC SHAFT REMOTE CONTROL SYSTEM

TYPE 5040

Dependable Precise Control

MCH-ES control heads provide remote control for a wide range of marine and industrial applications.

Illumination

Optional illumination is available with a variety of scales.

Watertight

Completely watertight design using corrosion resistant materials allows outside installations, even on models with illumination.

Versatile

Modular construction allows many potentiometer, scale, switch, handle and servomotor options.

Servo Positioning

Motor driven control lever servo positioning system provides accurate, responsive follow-up.

Control Transfer

Transfer between stations is actuated automatically by moving the lever at the controlling station, or manually, by a separate, local pushbutton.

Bumpless Transfer

Control transfer between stations is always smooth because all levers are continuously aligned with the controlling station.

Options

Many options and support products are available which allow numerous system configurations.



PRIME MOVER CONTROLS INC.

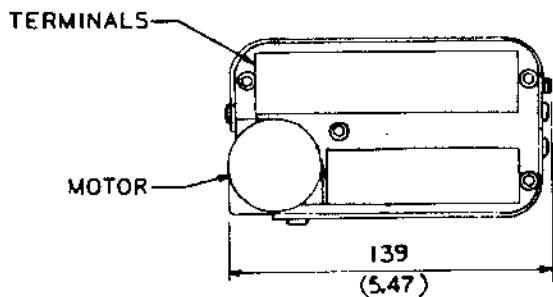
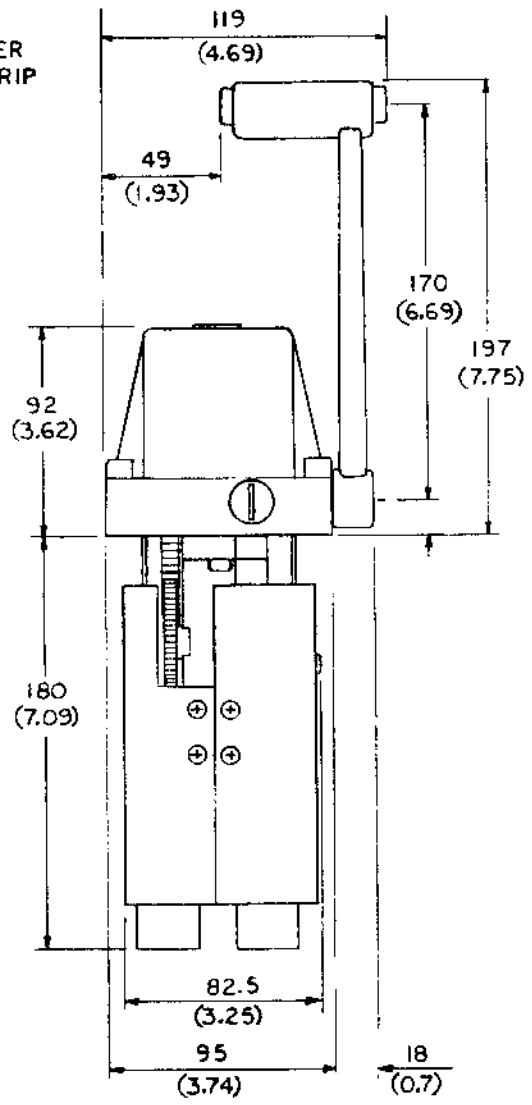
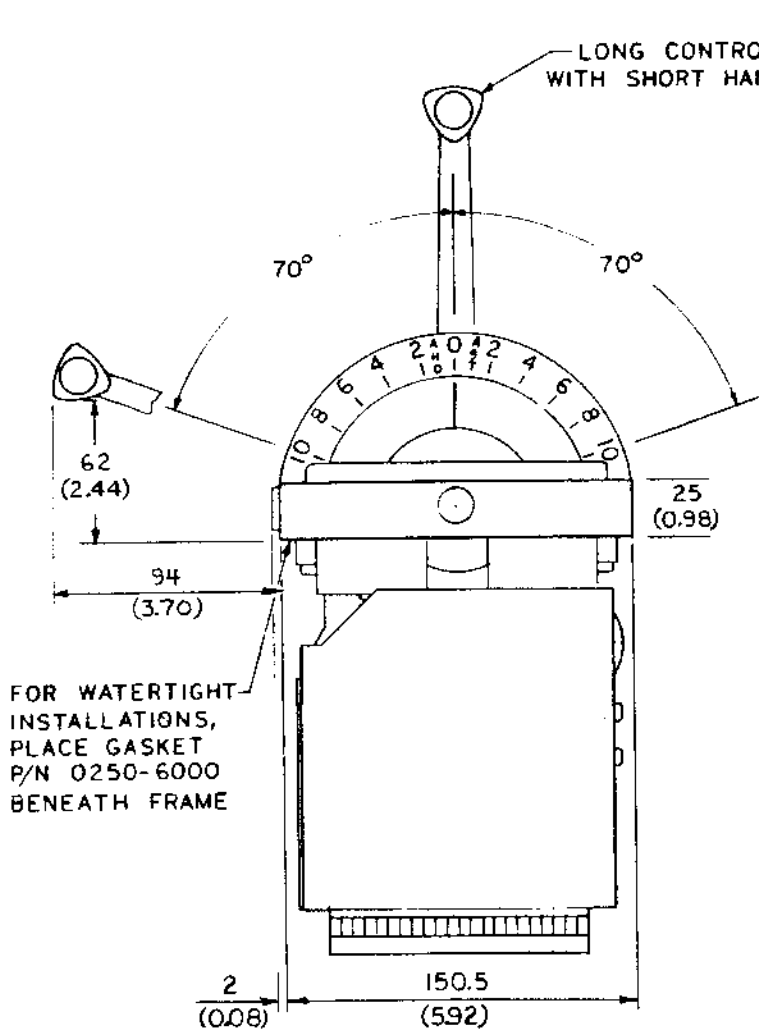
VANCOUVER, BC, CANADA

DESIGN, MANUFACTURE AND SERVICE OF MARINE AND
INDUSTRIAL CONTROL COMPONENTS AND SYSTEMS

Electronic - Pneumatic - Hydraulic - Mechanical

SB-5040

ELECTRIC SHAFT - TYPE MCH-ES CONTROL HEAD DIMENSIONS



DIMENSIONS ARE IN ^{mm}(INCHES)

MCH-ES CONTROL HEADS ARE AVAILABLE WITH CONTROL LEVER ASSEMBLED ON EITHER SIDE. RIGHT HAND SHOWN.

