



# Series 5061-2300

The Type 5061-2300 is a low profile control head for applications where space is limited. It can also be used as a back up control head.

## FEATURES

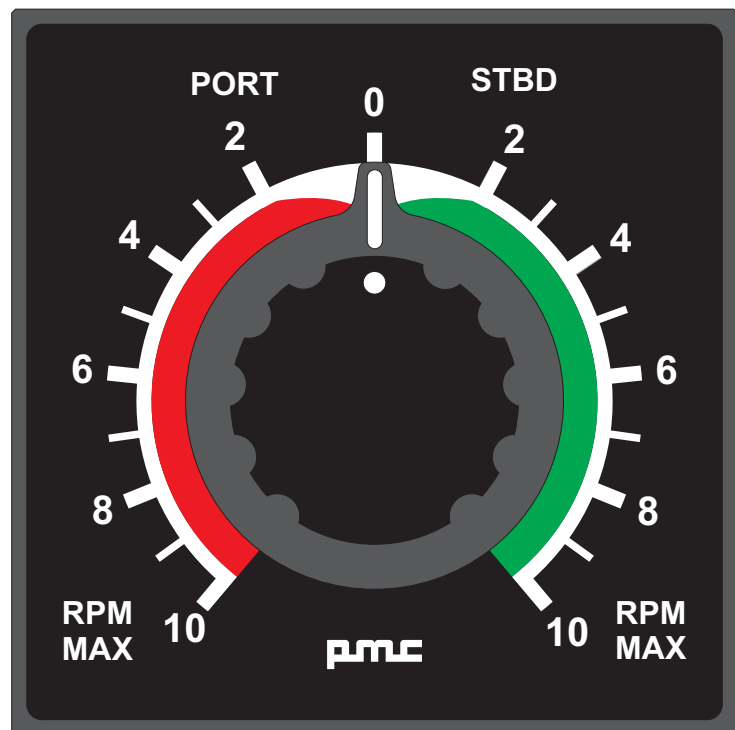
- Custom scales available
- Low profile
- 96 mm x 96 mm size
- Bushing or servo mount potentiometers
- Single or dual potentiometers
- 4 to 20 mA output available
- 20 to 4 to 20 mA output available
- External pulse width modulation output available
- One or three detents standard
- Port/stbd switches available for direct connection to gearbox solenoids.
- Protection rating IP66 above console
- Meets or exceeds marine classification and regulatory requirements for Electromagnetic Compatibility, Vibration, Temperature and Humidity

## APPLICATIONS

- Slide out wing stations with limited height
- Back up for electronic control systems

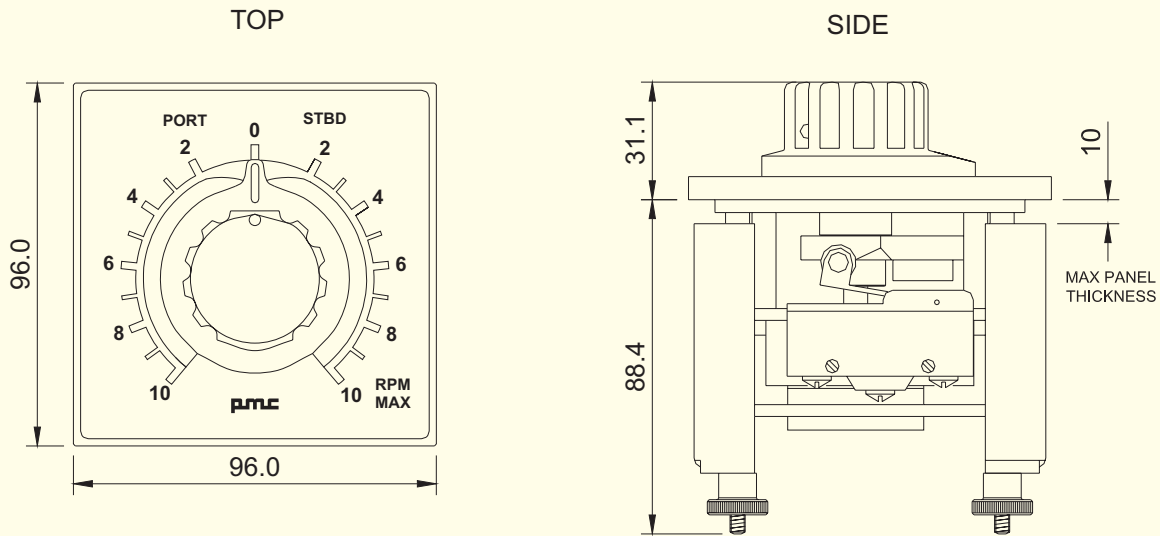
## DIAL CONTROL HEAD

TYPE DLH PORT, STBD& RPM CONTROL



SCALE 1:1

## DIMENSIONS FOR SERIES 5061-2300 DLH DIAL CONTROL HEAD



SCALE 1 : 2

### SPECIFICATIONS:

#### Transmitter:

- Nominal 24 V<sub>DC</sub>, range 20 to 32 V<sub>DC</sub>
- Reverse voltage protection
- Current 4 to 20 mA
- Resistor load 0 to 500 Ω
- Transmission range 610 m (2000') over shielded twisted pair

#### Potentiometer:

- Resistance 5 kΩ standard

#### Switches

- 2 single pole double throw (SPDT)
- Current 10 A @ 14 V<sub>DC</sub> or 5 A @ 30 V<sub>DC</sub>

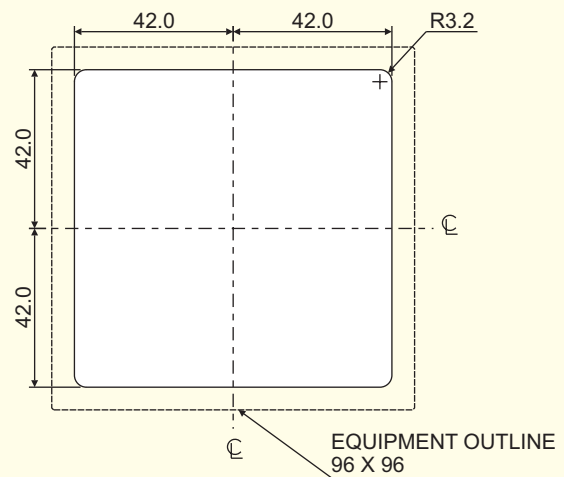
#### Environmental:

- Vibration: Frequency range 2 to 100 Hz  
Peak to peak amplitude 2 mm below 13.2 Hz  
Acceleration amplitude 0.7 g above 13.2 Hz
- CE compliant for EMC (IEC/EN60945)

#### Physical:

- Port 140° to 0° to stbd 140° dial rotation
- IP66 above console
- Dimensions:  
96 mm L × 96 mm W × 119.5 mm H  
(3.78" L × 3.78" W × 4.70" H)
- Weight, typical 530 g (1.4 lbs)
- lead wires 18 AWG

### CUT OUT



## PRIME MOVER CONTROLS INC.

3600 GILMORE WAY, BURNABY BC CANADA V5G 4R8