



# PROPULSION TELEGRAPH/CONTROL HEAD

TYPE PCH

## Series 5400-1100 5401-1100

The Series 5400-1100 Propulsion Control Head is a versatile remote control device.

The Series 5401-1100 Propulsion Telegraph is a traditional lever telegraph.

### FEATURES

- Single or twin screw
- Dimmable internal illumination
- IP66 above console
- Corrosion resistant
- Rugged construction
- "Unbreakable" transparent cover
- Many different detent and friction arrangements
- Easy to install
- Removable terminal blocks
- Marine approvals

### OPTIONS

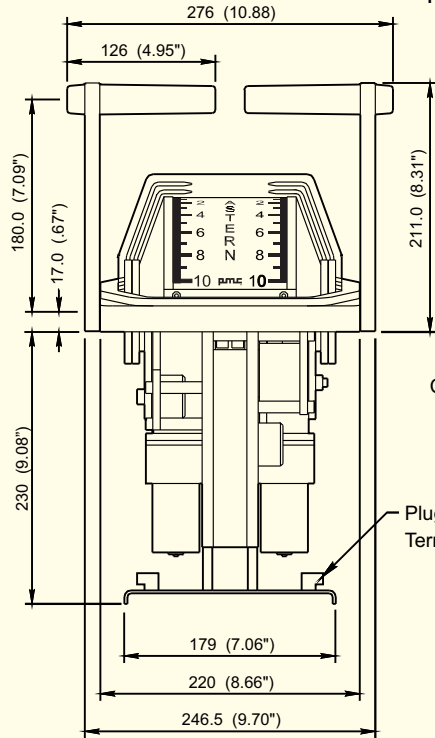
- Electric shaft system
- Telegraph system
- Auto transfer system
- Multiple potentiometers for remote control, datalogger, etc.
- Multiple two wire transmitters
  - 4-20mA
  - 20-4mA
  - 20-4-20mA
  - custom
- Multiple switches
- Pneumatic control
- Custom scales
- Dual lever coupling



**PRIME MOVER CONTROLS INC.**

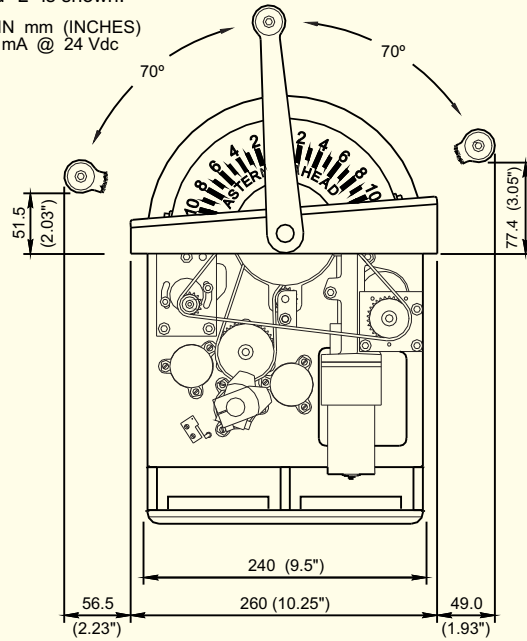
# DIMENSIONS FOR SERIES 5401-1100 PROPULSION TELEGRAPH/CONTROL HEAD

## PCH DUAL LEVER CONTROL HEAD, L HANDLE



"L" handles can be assembled as inward or outward "L". Inward "L" is shown.

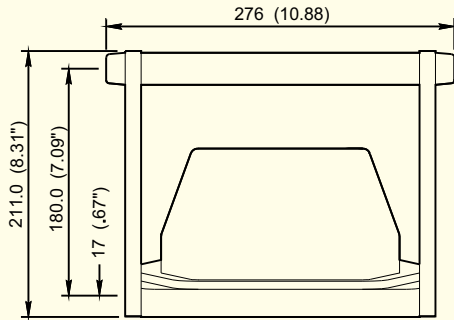
DIMENSIONS ARE IN mm (INCHES)  
ILLUMINATION: 320 mA @ 24 Vdc



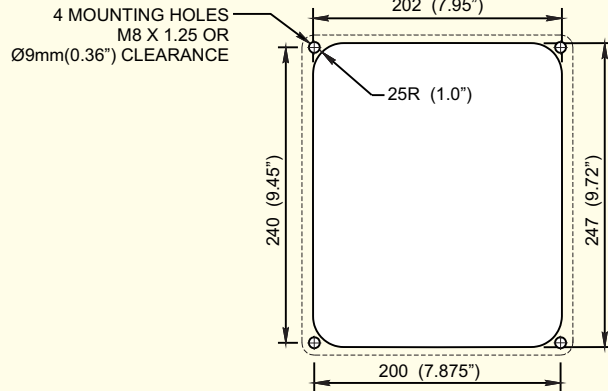
Control head is shown with optional electric shaft components.

Plug-in Style Terminal Blocks

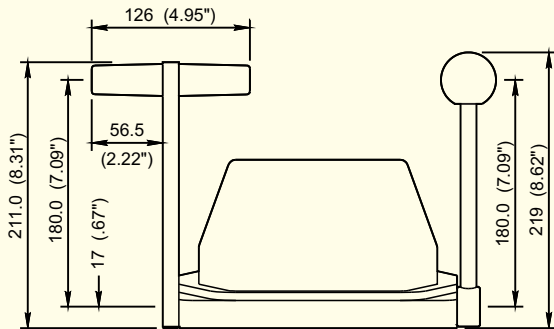
## CENTER HANDLE



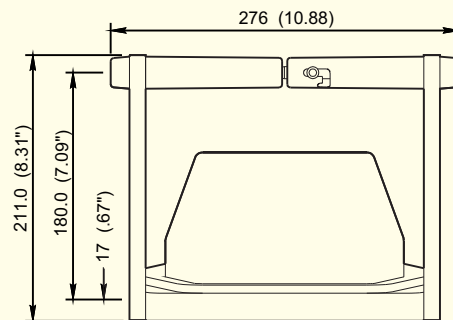
## CUT OUT



## T AND BALL HANDLES



## DUAL LEVER WITH COUPLING



# PRIME MOVER CONTROLS INC.

3600 GILMORE WAY, BURNABY B.C. CANADA V5G 4R8

TEL (604) 433-4644 FAX (604) 433-5570 www.pmc-controls.com