

COMPONENT
BULLETIN SB-5800



Remote Control Head

Dependable Precise Control

MCH-E control heads provide remote control for a wide range of marine and industrial applications.

Single or Dual Lever

Many different control handles are available in either red or black. A handle coupling mechanism is available for dual lever control heads.

Illumination

Optional illumination is available with a variety of scales.

Watertight

Completely watertight design allows outside installation, even on models with illumination.

Corrosion Resistant

MCH-E control heads are built with materials that are compatible with the hostile marine environment.

Versatility

Modular construction allows many configurations of potentiometers and switches in a compact unit.

Type MCH-E



**SPRING CENTERED
CONTROL LEVER**

Spring centering is
available on many
single lever models.

PRIME MOVER CONTROLS INC.

VANCOUVER, BC, CANADA

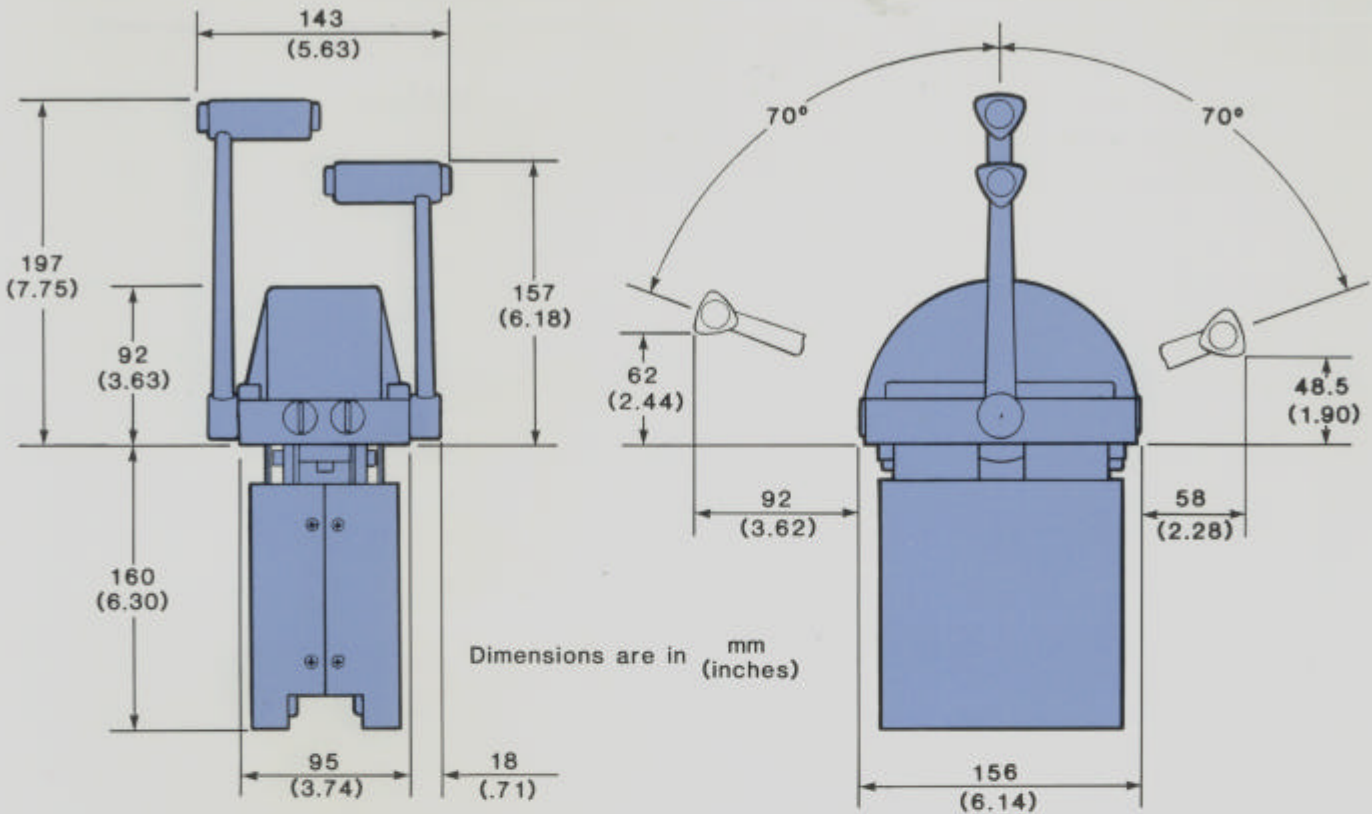
DESIGN, MANUFACTURE AND SERVICE OF MARINE AND
INDUSTRIAL CONTROL COMPONENTS AND SYSTEMS

Electronic - Pneumatic - Hydraulic - Mechanical

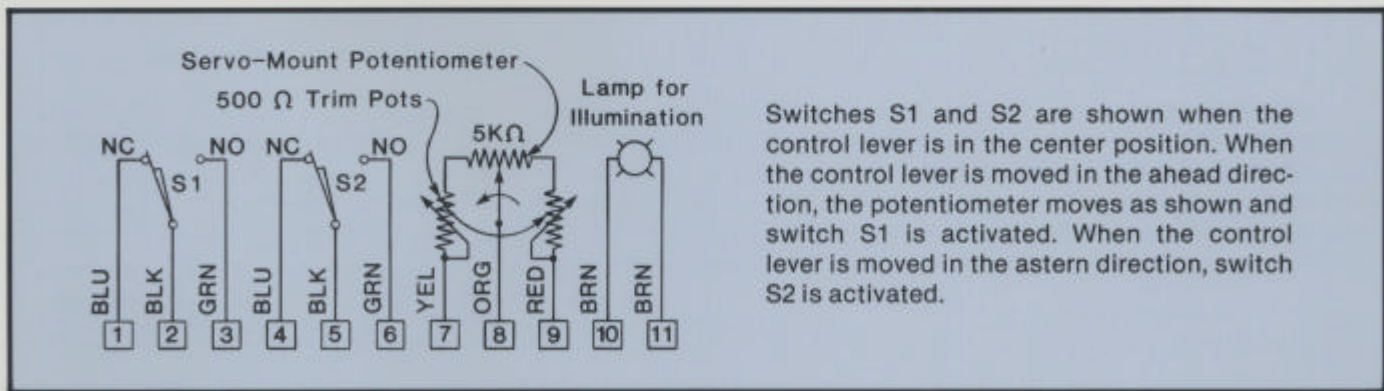
SB-5800

Remote Control Head

Type MCH-E



Typical Schematic (1 side only)



For more information, see bulletin UB-5800.

PRIME MOVER CONTROLS INC.

3600 Gilmore Way, Burnaby, BC, Canada V5G 4R8 Tel: (604) 433-4644 FAX: (604) 433-5570