



Type 8540-3100

The Type 8540-3000 is a signal convertor which converts a standardized industrial signals into a ratiometric signal, as is required by some proportional valves.

APPLICATIONS

- Proportional valve driver

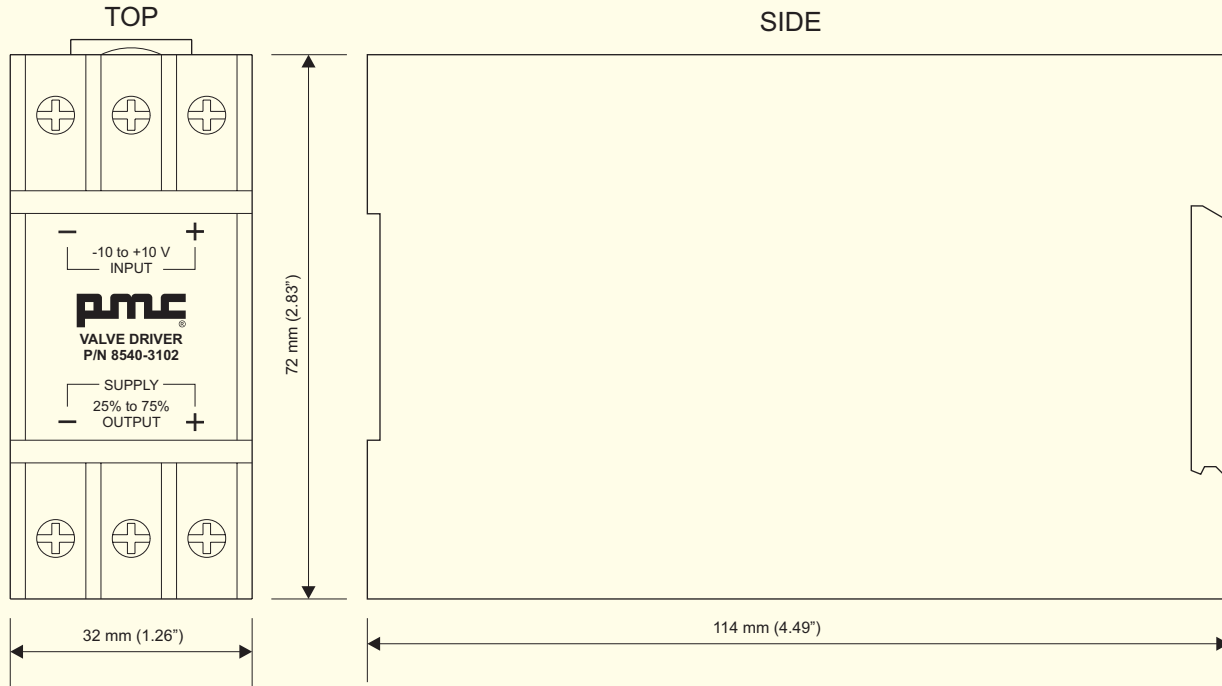
SIGNAL CONVERTOR

- 0 to 10 V_{DC} Input / Ratiometric Output 8540-3100
- 4 to 20 mA Input / Ratiometric Output 8540-3101
- 10 to 0 to +10 V_{DC} Input / Ratiometric Output 8540-3102



PRIME MOVER CONTROLS INC.

DIMENSIONS FOR 8540-3100 SIGNAL CONVERTOR



SCALE 1 : 1

SPECIFICATIONS:

Supply:

- Nominal 24 V_{DC}, range 9 to 30 V_{DC}
- Maximum 200 mA

Input Signals:

- Galvanically isolated

Output Signal:

- Ratiometric output, min 25% and max 75% of the supply voltage
- Output limiting minimum >13% and maximum <87% of the supply voltage
- Response time 2 ms maximum
- Linearity less than 1% deviation

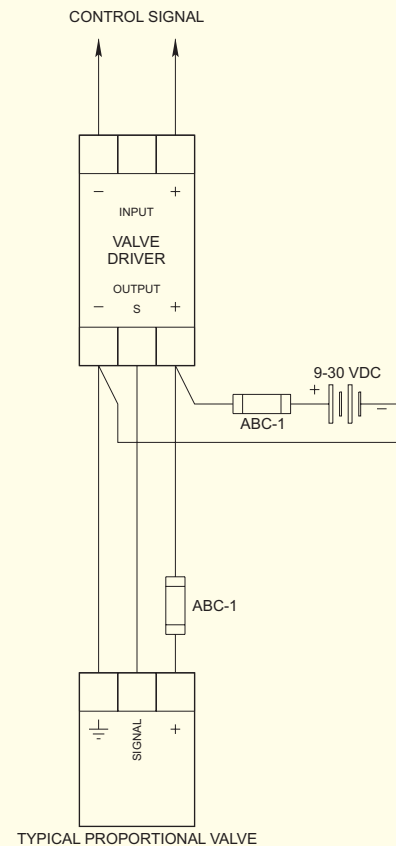
Environmental:

- Ambient temperature -10 to +50°C

Physical:

- Weight, typical 109 g (3.5 oz)
- Screw type terminals for wire connections
- DIN rail mount

TYPICAL WIRING DIAGRAM



PRIME MOVER CONTROLS INC.

3600 GILMORE WAY, BURNABY BC CANADA V5G 4R8